

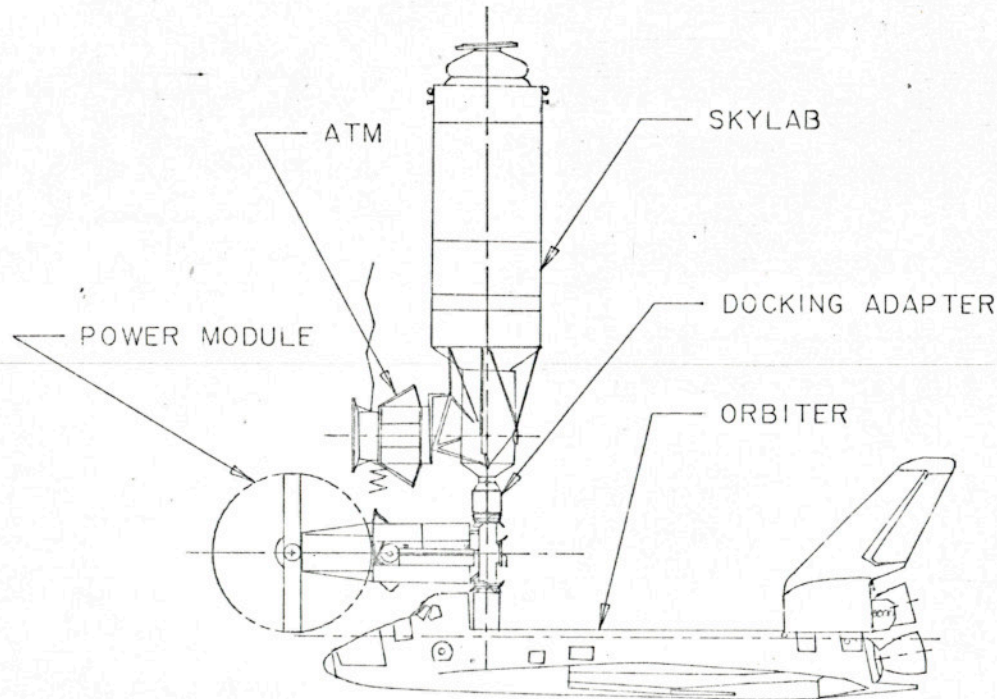
MARSHALL SPACE FLIGHT CENTER

SKYLAB REUSE

NAME

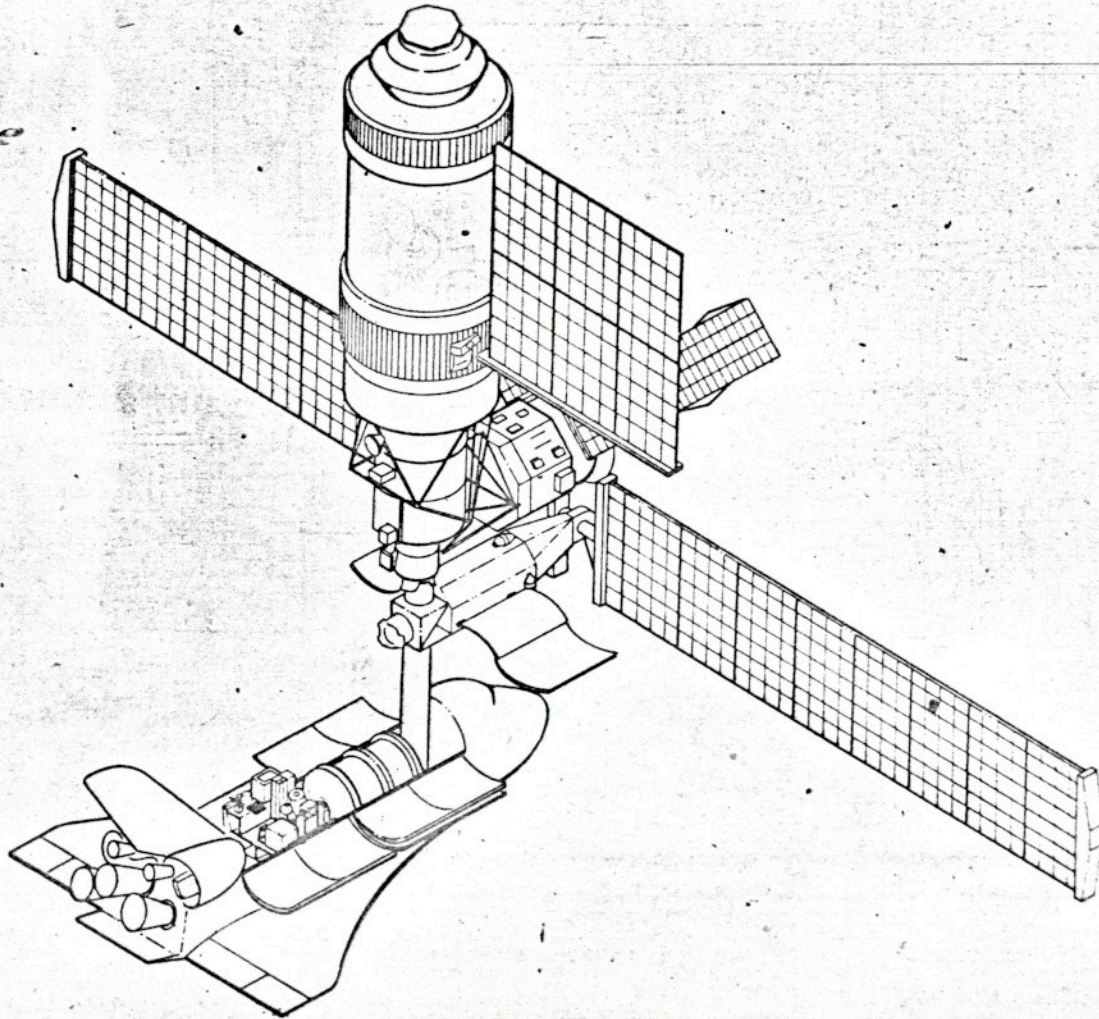
DATE

ORGANIZATION



PD351-77C

SKYLAB REUSE



TOP VERTICAL

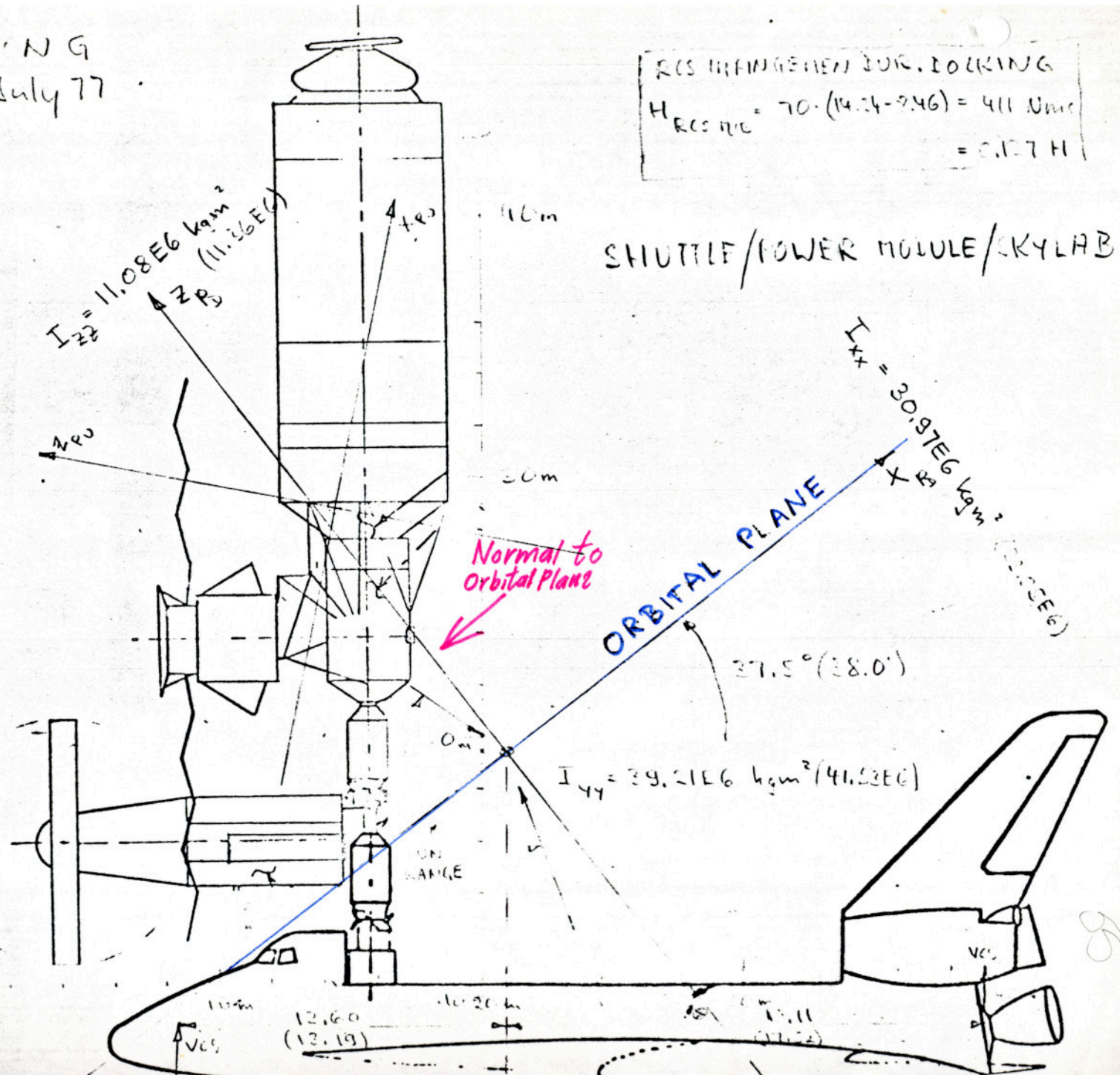
33

DOFTING
14 July 77

RES MANAGEMENT DUR. DOLKING
 $H_{RES} = 70 \cdot (14.24 - 2.46) = 411 \text{ Nm}$
 $= 0.127 \text{ H}$

SHUTTLE/POWER MODULE/SKYLAB

SUN
UPPER
LIMIT



88